



4000IS

PROFESSIONAL IRONING SYSTEM

INSTRUCTION MANUAL

THE 4000IS
PROFESSIONAL IRONING SYSTEM
INSTRUCTION MANUAL
ENGLISH

RELIABLE. RIGHT THERE WITH YOU.

At Reliable, we do what we love, and take pride in doing it right. You want what's best for the people, places and things that matter in your life - from where you live to what you wear. So do we. From the start, we approach every product with a craftsman's attention to detail and passion for making it right. Quality, functionality, design and customer service play an equally important part in delivering what's right for you. With its stainless steel construction, and professional iron; the 4000IS will allow you to obtain the benefits of professional pressing in a compact and convenient format. For your safety and to fully enjoy the advantages of this product, please take a few minutes to read all the important safeguards and care instructions. Keep this manual handy and review the product warranty for your reference.

THANK YOU FOR YOUR PURCHASE. PLEASE SHARE YOUR RELIABLE PRODUCT EXPERIENCE BY POSTING AN ONLINE REVIEW ON THE WEBSITE FROM WHICH YOU PURCHASED! WE GREATLY APPRECIATE IT!

IMPORTANT SAFETY INSTRUCTIONS - SAVE THESE INSTRUCTIONS IN A SAFE PLACE FOR FUTURE REFERENCE

READ ALL INSTRUCTIONS BEFORE USE

When using your Reliable™ steam station, basic safety precautions should always be followed. Please read the following instructions carefully as they provide important information concerning how to install, use and care for this product.

1. To protect against the risk of electric shock, do not immerse the appliance in water.
2. Do not allow the cord to touch hot surfaces.
3. Always allow the appliance to cool for at least thirty minutes before storing.
4. Always put the appliance in a secure place on a table or counter when using.
5. Do not move the appliance without unplugging it first.
6. Always disconnect the appliance from the outlet before filling with or removing water. Be careful to avoid spilling water on the appliance when filling.
7. Use tap water or 50/50 tap/distilled water in the appliance. Do not use perfumed or products containing alcohol in the appliance.
8. Always disconnect the appliance when not in use.
9. Do not use the appliance if the cord is damaged. Return the appliance or have the cord repaired by the manufacturer, or their service agent.
10. Do not operate the appliance if it has been dropped or damaged. Do not disassemble the appliance. Incorrect reassembly can cause a risk of electric shock. Send it to an authorized service center for repair.
11. Do not operate another high wattage appliance on the same circuit.
12. This appliance must be grounded. Do not alter the plug or attempt to remove this feature.
13. Be careful. Burns can occur from touching hot metal parts or steam.
14. This appliance is not intended for use by young children.
15. While using the appliance, never unscrew or remove the cap (1) while the boiler is under pressure.
16. Before removing the cap, make sure there's no more steam in the steam chamber by shutting the boiler switch (4) to the off position, and pressing the steam iron button (7) to release all of the remaining steam.
17. To ensure your safety, the safety cap (1) and all other components must be replaced with original parts only.

FOR HOUSEHOLD AND LIGHT COMMERCIAL USE ONLY

FEATURES

- Your new ironing station provides clean, professional results every time
- The professional iron soleplate is made from durable, and fast heating aluminum
- Stainless steel outer shell construction for long life
- Adjustable thermostat allows for accurate temperature settings
- Cork handle iron is comfortable and stays cool
- Low water light indicator
- Auto shut-off thermostat protection
- Regular tap water or 50/50 tap/distilled water
- 50 p.s.i. operating pressure
- 12-gauge heavy-duty wiring
- Up to 4 hours of steam

IMPORTANT: When you want to dispose of the appliance, NEVER throw it in the garbage. Instead, go to your closest recycling station or waste collection centre for subsequent treatment. In this way, you will be contributing to looking after the environment.

HOW TO ASSEMBLE AND USE

1. Remove the ironing station from its packing and make sure all packing has been removed (including the protective bags). Put the station on a flat and solid surface.
2. It is recommended to put the iron on the iron pad, (supplied) as the pad will withstand the temperature of the iron
3. Insert the two-piece wand (12) into the flange on top of the boiler, tighten with the side screw and attach the spring on the iron hose to the coil end of the wand.
4. Unscrew the safety cap (1). Fill the boiler with a maximum of 8 cups (2 litres) of water for the 4000IS. Use the funnel supplied, making sure you do not overfill the tank (you can also use the water stick to determine the water level in the steam tank).
5. Insert the plug into the electrical outlet; switch on the boiler (4) and steam button (3). When the two button lights come on, the iron and boiler are working.

6. Turn the iron plate's temperature regulating knob (6) to the position "cotton" (indicated on the iron knob).
7. Wait for the boiler button's red light (4) to turn off (it takes about 10 minutes).
NOTE: While ironing, the boiler button's red light normally turns on and off, indicating the heating element is activated or not.
8. NOTE: When you call for steam for the first time (after having turned the boiler on) you might notice a fast decrease in pressure. This is normal for the first time.
9. The steam station is ready for use.
10. Push the steam button (7) on the iron for steam.

PLEASE NOTE:

11. This steam product is equipped with a low water warning light (5). During operation, if the light comes on, it indicates that the unit requires more water to operate. If this occurs, please follow these steps.
 - Press the steam iron button (7) to ensure there is no more steam in the boiler.
 - Slowly open the pressure cap (1) and refill to the required level with warm water.
 - Replace the cap and tighten then press the thermostat reset button (8), wait for it to build up pressure again.
12. It is possible to adjust the steam quantity with the steam regulation knob (9).

IMPORTANT

When you are finished using the boiler for the day, unscrew the fill cap one-turn on the unit to release the steam/air from the tank. This will eliminate the vacuum that may cause damage to the pressure gauge as well as the safety cap.

The boiler must be cleaned periodically and any sediment/mineral buildup removed from inside the unit; otherwise, it may become clogged. The period between cleanings depends on the frequency of use and the quality/hardness of the water used. If the unit is in daily use with regular municipal tap water, we recommend a cleaning every two weeks to a month.

TO CLEAN THE BOILER UNIT

1. Unplug the unit from the wall.
2. Add a mixture of 1 part white vinegar to 5 parts water and pour inside the boiler tank to capacity. Let the vinegar solution sit overnight.
3. Pick up the boiler unit and pour approximately half of the solution out of the boiler tank. Vigorously shake/swirl the remaining solution around the tank to loosen and pick up any softened sediment that may have accumulated inside.

Pour the remaining solution out of the tank. You may see bits of sediment and mineral come out at this point.

4. Rinse the tank with clean water until there is no smell of vinegar or any sediment bits coming from inside the tank. NOTE: Sediment/mineral pieces can be blown into the solenoid valve or the steam nozzle during operation so it is important that they are not left in the tank after cleaning.
5. The unit is now ready for use.

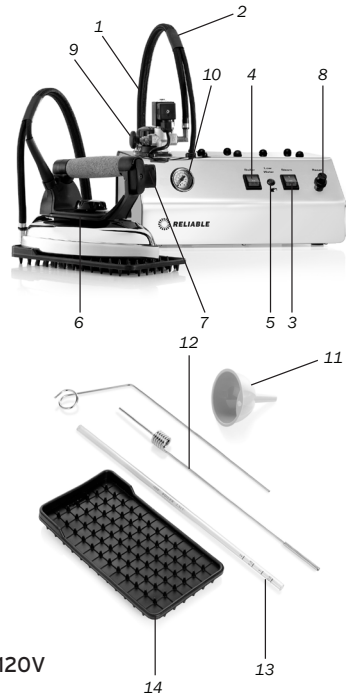
WATER INSTRUCTIONS

Use tap water or 50/50 tap/distilled water in the appliance. Do not use perfume or products containing alcohol in the appliance.

DESCRIPTION OF THE IRON STATION

1. Safety cap
2. Mono hose
3. Steam iron switch
4. Boiler switch
5. Low water light
6. Temperature regulating knob
7. Steam button
8. Thermostat reset button
9. Steam regulation knob
10. Pressure gauge
11. Funnel
12. Wand to support mono hose
13. Water level measuring stick
14. Iron rest

* Not exactly as shown.



TECHNICAL DATA

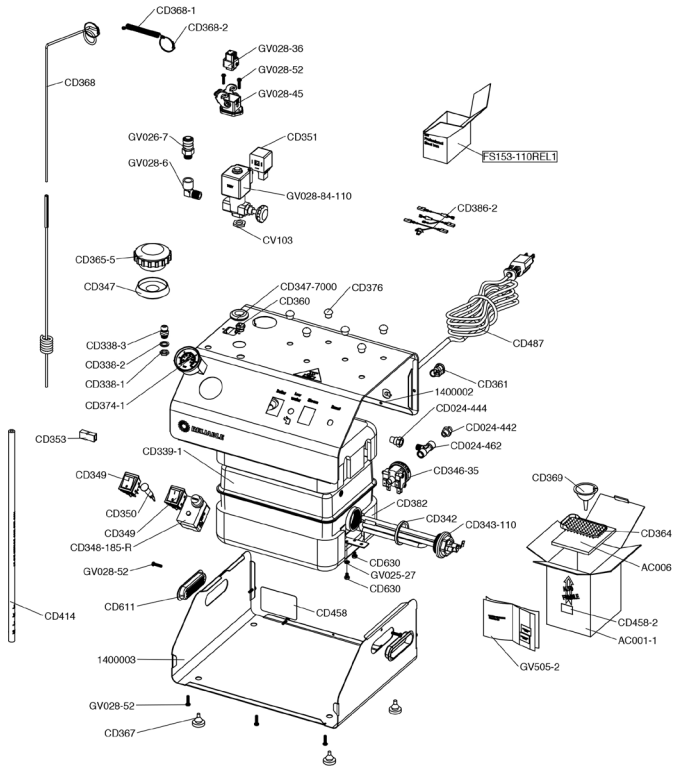
Full aluminium-plated heating element at 800W - 120V
Boiler power 4000IS: 1000W
Working pressure 4000IS: 50 psi/3.5 bar
Tank nominal capacity of model 4000IS: 2.5 litres



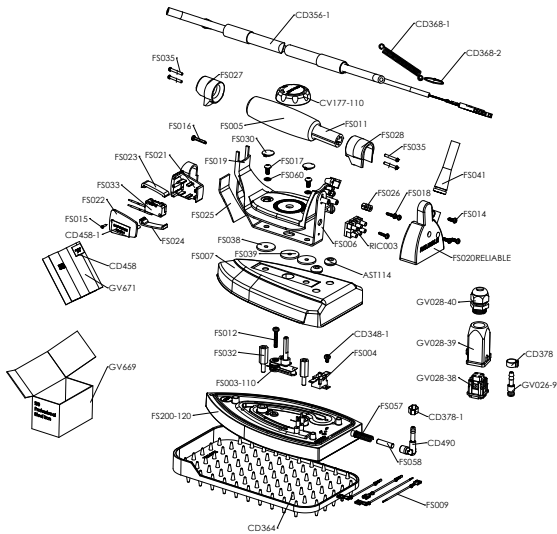
TROUBLESHOOTING

PROBLEM	POSSIBLE CAUSES	REMEDY
The steam from the iron is too wet.	<ol style="list-style-type: none"> 1. While filling the tank you may have poured too much water into it. 2. The iron soleplate is not getting hot enough. 	<ol style="list-style-type: none"> 1. The problem will go on until the excess water is emptied. Keep the steam button pressed until the water in the tank is at the correct level. 2. Please check that the temperature knob is on the right position, if not, increase the iron temperature.
Water is coming out from the boiler.	<ol style="list-style-type: none"> 1. There might be a leak in the heating element gasket. 	<ol style="list-style-type: none"> 1. Contact technical support as in most cases, the gasket will need to be replaced.
There is no steam coming out of the iron	<ol style="list-style-type: none"> 1. The steam knob might be closed. 2. The iron switch might be off 3. The boiler switch might be off. 4. If the low water light is on, the water in the tank is low or empty. 	<ol style="list-style-type: none"> 1. Open the steam knob anticlockwise. 2. After the iron switch comes on, wait for 4 minutes so that the iron plate gets hot. 3. After the boiler switch comes on, wait for 10 minutes so the boiler produces steam. 4. Refill the boiler carefully following the instructions or try pressing the reset button (8).
The steam is dirty.	<ol style="list-style-type: none"> 1. When using the iron with a ironing shoe, if not cleaned regularly, calcium will form between the shoe and the iron base. 	<ol style="list-style-type: none"> 1. Remove and rinse the ironing shoe on a regular (monthly) basis to avoid scale build-up.
Machine shuts off automatically	<ol style="list-style-type: none"> 1. Machine is low on water. 	<ol style="list-style-type: none"> 1. Press the steam iron button ensure there is no more steam in the boiler. 2. Slowly open the pressure cap (1) and refill to the required level with warm water. 3. Replace the cap and tighten then press the thermostat reset button wait for it to build up pressure again.

PARTS DRAWING



2100IR



RELIABLE CORPORATION LIFETIME
PRODUCT WARRANTY POLICY FOR
PRESSURIZED STEAM BOILER TANKS



Reliable Corporation (“Reliable”) warrants to the original purchaser of the boiler noted above from Reliable (the “Reliable Boiler Tank”) that it will be free from defects in materials and workmanship when utilized for normal use by the original purchaser only. Should the Reliable Boiler Tank need replacement, Reliable will do so at no parts and labor cost to the original purchaser, exclusive of shipping.

Subject to the conditions and limitations set forth below, Reliable will either repair or replace any part of a Reliable Boiler Tank that proves defective by reason of improper workmanship or materials. If the defective Reliable Boiler Tank is no longer available and cannot be repaired effectively or replaced with an identical model, Reliable shall replace the defective Reliable Boiler Tank with a current Reliable Boiler Tank of equal or greater value. Repaired parts or replacement products will be provided by Reliable on an exchange basis, and will be either new or refurbished to be functionally equivalent to new. If Reliable is unable to repair or replace a Reliable Boiler Tank, it will refund the current value of that Reliable Boiler Tank at the time the warranty claim is made.

This limited warranty does not cover any damage to a Reliable Boiler Tank that results from improper installation, accident, abuse, misuse, unreasonable use, natural disaster, insufficient or excessive electrical supply, abnormal mechanical or environmental conditions or any unauthorized disassembly, repair or modification. This limited warranty does not extend to any indirect, consequential or incidental damages that may be suffered by a user from the use of a Reliable Boiler Tank, including without limitation, any liability for third party claims for damage, and is limited to the amount paid by the original purchaser for the Reliable Boiler Tank with respect to which this limited warranty protection applies. This limited warranty does not apply with respect to products that have been altered or which are missing serial numbers or for products not purchased directly from Reliable or a dealer authorized by Reliable to sell the Reliable Boiler Tank.

This limited warranty is the only warranty that applies to the Reliable Boiler Tank, supersedes any and all terms that may be contained in any other document or purchase order and may not be altered or amended except expressly in writing by Reliable.

To obtain a repair or replacement under the terms of this warranty, please contact our customer service group at 1 800 268 1649 or at support@reliablecorporation.com. You will be required to submit an original receipt via fax or e-mail. The receipt must reflect that you are the original purchaser, the product was bought directly from Reliable or from an authorized Reliable dealer and that the warranty claim is being made in compliance with the terms set out in this document or any subsequent document issued by Reliable in connection with this policy. You will be issued a return authorization number (RA#) and asked to ship the defective product together with proof of purchase and RA#, prepaid insured to the following address: Reliable Corporation, 5-100 Wingold Ave, Toronto, ON M6B 4K7.

Freight collect shipments will be refused. The risk of loss or damage in transit will be borne by the customer. Once Reliable receives the defective product, it will initiate the repair or replacement process.



Reliable Corporation (“Reliable”) warrants to original purchaser of its products that every product sold by Reliable (a “Reliable Product”) is free from defects in material and workmanship for a period of one year from the date of purchase if properly used and maintained. Subject to the conditions and limitations set forth below, Reliable will either repair or replace any part of a Reliable Product that proves defective by reason of improper workmanship or materials. If the defective Reliable Product is no longer available and cannot be repaired effectively or replaced with an identical model, Reliable shall replace the defective Reliable Product with a current Reliable Product of equal or greater value. Repaired parts or replacement products will be provided by Reliable on an exchange basis, and will be either new or refurbished to be functionally equivalent to new. If Reliable is unable to repair or replace a Reliable Product, it will refund the current value of that Reliable Product at the time the warranty claim is made.

This limited warranty does not cover any damage to a Reliable Product that results from improper installation, accident, abuse, misuse, natural disaster, insufficient or excessive electrical supply, abnormal mechanical or environmental conditions, wear and tear resulting from normal use of the product, or any unauthorized disassembly, repair, or modification. This limited warranty does not extend to any indirect, consequential or incidental damages that may be suffered by a user or from the use of a Reliable Product, including without limitation, any liability for third party claims for damage, and is limited to the amount paid by the original purchaser Reliable Product with respect to which this limited warranty protection applies. This limited warranty does not apply with respect to products that have been altered or which are missing serial numbers or for products not purchased directly from Reliable or a dealer authorized by us to sell Reliable Products.

This limited warranty is the only warranty that applies to any Reliable Product, supersedes any and all terms that may be contained in any other document or purchase order and may not be altered or amended except expressly in writing by Reliable.

To obtain a repair or replacement under the terms of this warranty, please contact our customer service group at 1-800-268-1649 or at support@reliablecorporation.com. You will be required to submit an original receipt via fax or e-mail. The receipt must reflect that you are the original purchaser, the product was bought directly from us or from an authorized Reliable dealer and that the warranty claim is being made within the warranty period. You will be issued a return authorization number (RA#) and asked to ship the defective product together with proof of purchase and RA#, prepaid insured to the following address:

Reliable Corporation, 5-100 Wingold Avenue, Toronto, ON M6B 4K7. Freight collect shipments will be refused. The risk of loss or damage in transit will be borne by the customer. Once Reliable receives the defective product, it will initiate the repair or replacement process.

If you have any questions regarding this warranty, you may write to:

Reliable Corporation
100 Wingold Avenue, Unit 5
Toronto, Ontario
Canada M6B 4K7
www.reliablecorporation.com



1 800 268 1649
www.reliablecorporation.com